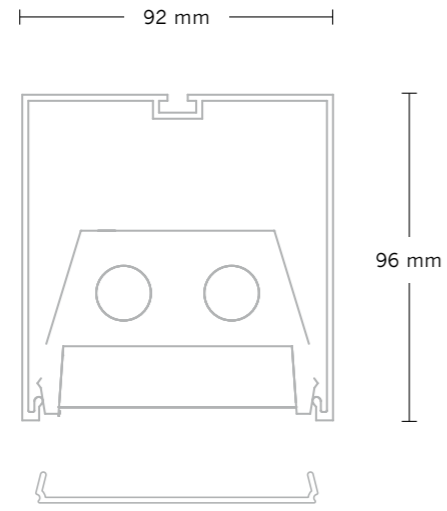


HALITE TETRA H204



- COLOURS** Natural Anodised, White Powder Coat, Custom
- LAMP OPTIONS** Single Tube, Twin Tube, Overlapping T5, Asymmetric, Direct/Indirect
- DIFFUSERS** Clear Reeded Prismatic, Ice, Opal, Finned Louvre
- LOUVRE** Low Brightness
- BENDS** 90°, 135°, T, X Junctions, Custom Bends
- HANGING SYSTEM** Multicore Stainless Steel Aircraft cable, Suspension Rods
- ACCESSORIES** Downlights, Emergency Packs (others on request)
- DIMENSIONS** 92 x 96mm

CONTINUOUS					NON CONTINUOUS				
<input checked="" type="checkbox"/>	<input checked="" type="checkbox"/>	<input checked="" type="checkbox"/>	<input checked="" type="checkbox"/>	<input checked="" type="checkbox"/>	<input checked="" type="checkbox"/>	<input checked="" type="checkbox"/>	<input checked="" type="checkbox"/>	<input checked="" type="checkbox"/>	<input checked="" type="checkbox"/>
TC-S	TC-L	T-5	T-8	DOWNLIGHT	TC-S	TC-L	T-5	T-8	DOWNLIGHT
IP 20		240 VAC				N5032	2.9	Kg/1m	
			EMERGENCY PACKS	PHOTOMETRICS AVAILABLE					

Lane Cove Library  
 Architect: Stephenson & Turner  
 El. consultant: Meinhardt  
 Photography: MD

