



Comfort and performance are the main attributes of Oris lighting. Its friendly lines are an ideal match for office spaces.

HALITE ORIS C102

COLOURS: Natural Anodised,
White Powder Coat, Custom

LAMP OPTIONS: Single Tube, Twin Tube,
Asymmetric, Direct/Indirect

DIFFUSERS: Clear Reeded Prismatic, Opal

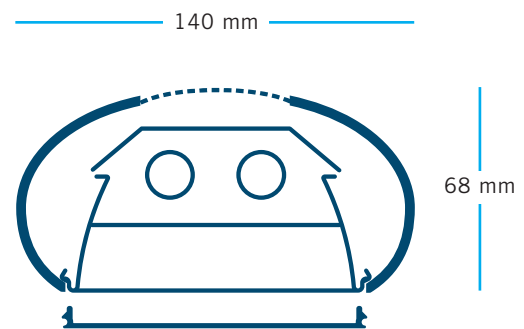
LOUVRE: Cat2 VDU, Low Brightness

BENDS: 90°, 135°, T, X Junctions, Custom

HANGING SYSTEM: Multicore Stainless Steel
Aircraft cable, Suspension Rods

ACCESSORIES: Dichroic Halogen Downlights,
Emergency Packs (others on request)

DIMENSIONS: 140 x 68mm



CONTINUOUS



NON CONTINUOUS

